



VPI45..

VPI45..Q with pressure test points

ACVATIX™

## Combi valves, PN 25

## VPI45.. VPI45..Q

for rooms, zones, air handling units as well as small to medium heating, ventilation and air-conditioning systems

- With integrated pressure differential controller
- Valve body made of dezincification resistant hot-pressed brass (DZR), CW602N
- Volumetric flow  $\dot{V}_{100}$  500...8500 l/h nominal, with presetting of min. 90 l/h
- DN 15...DN 50
- Internally threaded Rp conforming to ISO 7-1
- Version with pressure test points for  $\Delta p$  measurement (optional)
- For use with electromotoric SSD.. and SQD.. actuators (3-position or DC 0...10 V)

### Use

- In ventilation and air conditioning plants for control on the water side and automatic hydraulic balancing of terminal units, such as fan coils, induction units, and in heat exchangers for heating or cooling
- In heating zones like self-contained heating systems, apartments, individual rooms, etc., and for closed systems
- With flow rate of 8500 l/h also suited for small ventilation and air conditioning plants

## Type summary

Type	DN	H <sub>100</sub> [mm]	Connections		Test points	$\dot{V}_{min}$ [l/h]	$\dot{V}_{100}$ [l/h]	SSD..		SQD..		
								$\Delta p_{min}^{1)}$ [kPa]	$\Delta p_{max}$ [kPa]	$\Delta p_{min}^{1)}$ [kPa]	$\Delta p_{max}$ [kPa]	
VPI45.15F0.5	15	5	Rp 1/2"	internally threaded		90	620	16	400			
VPI45.15F1.5						290	1730	18	400			
VPI45.20F0.9	20					Rp 3/4"	160	1050	16			400
VPI45.20F2							350	2040	22			400
VPI45.25F1.5	25					Rp 1"	280	1720	16			400
VPI45.25F2							350	2040	22			400
VPI45.32F3	32	Rp 1 1/4"	560	3050	18	400						
VPI45.40F7	40	6.5	Rp 1 1/2"		2355	7105			26	400		
VPI45.50F8.5	50		Rp 2"		2664	8586			32	400		
VPI45.15F0.5Q	15	5	Rp 1/2"	with pressure test points		90	620	16	400			
VPI45.15F1.5Q						290	1730	18	400			
VPI45.20F0.9Q	20					Rp 3/4"	160	1050	16			400
VPI45.20F2Q							350	2040	22			400
VPI45.25F1.5Q	25					Rp 1"	280	1720	16			400
VPI45.25F2Q							350	2040	22			400
VPI45.32F3Q	32	Rp 1 1/4"	560	3050	18	400						
VPI45.40F7Q	40	6.5	Rp 1 1/2"		2355	7105			26	400		
VPI45.50F8.5Q	50		Rp 2"		2664	8586			32	400		

DN = nominal size

H<sub>100</sub> = nominal stroke

$\dot{V}_{100}$  = volumetric flow through fully open valve (H<sub>100</sub>)

$\dot{V}_{min}$  = smallest presettable volumetric flow through fully open valve (H<sub>100</sub>)

$\Delta p_{max}$  = max. permissible differential pressure across the valve's control path, valid for the entire actuating range of the motorised valve

$\Delta p_{min}$  = minimum differential pressure required across the valve's control path, so that the difference pressure regulator works reliably

<sup>1)</sup> The exact differential pressure  $\Delta p_{min}$  depends on the preset value, see following table:

Typ	Preset position			
	1.0	2.0	3.0	4.0
	$\Delta p_{min}$ [kPa]	$\Delta p_{min}$ [kPa]	$\Delta p_{min}$ [kPa]	maximal $\Delta p_{min}$ [kPa]
VPI45.15F0.5..	14.5	15.1	15.7	16
VPI45.15F1.5..	14	15.8	17.0	18
VPI45.20F0.9..	14	15.1	15.7	16
VPI45.20F2..	14	18	20.2	22
VPI45.25F1.5..	14	14.8	15.5	16
VPI45.25F2..	14	18.3	20.2	22
VPI45.32F3..	14.5	16	17	18
VPI45.40F7..	16.5	20	25	26
VPI45.50F8.5..	22	28	30	32

### Ordering

When ordering, please give quantity, description and type of valve and actuator.

Example: 10 Combi valves VPI45.25F1.5  
10 actuators SSD61

Delivery Valves and actuators are supplied packed as individual items.

### Rev. no.

See overview, page 11.

## Equipment combinations

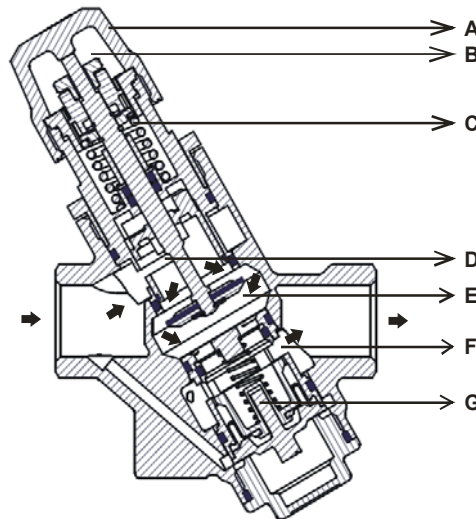
### Overview of actuators

Actuators	Operating voltage	Positioning			Stroke	Connecting cable	Data-sheet
		signal	time	force			
SSD31	AC 230 V	3-position	150 s	> 250 N	5 mm	1.5 m	N4861
SSD81	AC 24 V		75 s				
SSD61		DC 0...10 V	75 s				
SSD31/00	AC 230 V	3-position	150 s				
SSD81/00	AC 24 V	DC 0...10 V	75 s				
SSD61/00							
SQD35.00	AC 230 V	3-position	150	> 400 N	6.5 mm	Must be supplied by the installer	N4540
SQD85.03	AC 24 V		43				
SQD65			DC 0...10 V				

## Technical / mechanical design

### Construction

Combi valve VPI45..



- A Manual control knob
- B Ring with dial for presetting
- C Closing spring
- D Throttling point linked to B
- E Seat of flow control valve
- F Controller's throttling point
- G Differential pressure controller
- ➔ Flow path

Combi valve VPI45.. is additionally equipped with pressure test points

### Functions

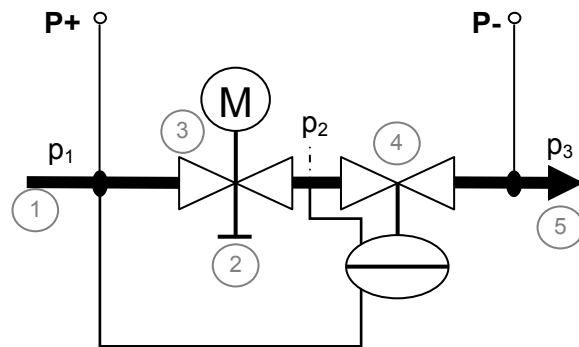
The medium entering the valve passes through a variable rectangular opening (D) which is connected to the ring with the dial (B) for presetting the maximum volumetric flow. Then, the medium flows through the flow control valve (E) with a linear characteristic and a stroke of 5 mm. A powerful spring (C) ensures safe closing.



Ring with dial for presetting (B)

The electromotoric actuator opens and accurately positions the valve (not shown here). Before leaving the valve, the medium passes through a second throttling point (F) which is controlled by the built-in mechanical differential pressure controller (G). This controller is the heart of the valve and ensures that the selected volumetric flow is maintained across the whole working range.


The valve VPI45..Q is additionally equipped with 2 pressure test points (P+, P-), which allow measurement of the total differential pressure across the valve. For that purpose, the electronic manometer, e.g. ALE10 can be used.





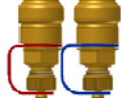




- ① Inlet medium
- ② Ring with dial for presetting (B), respectively throttling point
- ③ Flow control valve (E) with mounted actuator
- ④ Differential pressure controller (G), maintains pressure  $p_1 - p_2$  across the flow control valve and the throttling point for presetting at a constant level
- ⑤ Outlet medium



P+ = P/T plug, pressure test point with red ribbon  
 P- = P/T plug, pressure test point with blue ribbon  
 $p_1$  = pressure at inlet of Combi valve  
 $p_2$  = pressure at outlet of flow control valve (E)  
 $p_3$  = pressure at outlet of Combi valve

## Manual control

<p>The black control knob is ready fitted and facilitates manual control of the Combi valve during commissioning without mounted actuator.          Factory setting: the valve is fully open, thus making it possible to purge the system.</p>	
--	---

## Accessories

Accessory	Brief description	
<b>ALE10</b>		<p>Electronic manometer. Measuring range 700 kPa, max. 1000 kPa. For measuring the differential pressure between P+ and P- of VPI45..Q Combi valves (refer to diagram under "Function").</p> <p>Functions of the manometer:</p> <ul style="list-style-type: none"> <li>• Start/stop</li> <li>• Automatic zero position</li> <li>• Backlit display</li> <li>• Display: Out → outside the measuring range</li> <li>• Holding function</li> </ul> <p>Order measuring lines and measuring tips ALE11 separately.            Delivery without batteries.</p>
<b>ALE11</b>		Measuring lines and measuring tips for use with VPI45...Q Combi valves.
<b>ALP45</b>		1" spare nipples (set of 2 pieces) Set contains 1 piece each with a red and blue ribbon.
<b>ALP46</b>		Blanking plugs for P/T ports Connection to valve body: G 1/4" to ISO 228, inclusive O-ring
<b>ALP47</b>		Drain ball valve inclusive O-ring Port: External threads G 1/2" to ISO 228 Connection to valve body: G 1/4" to ISO 228, inclusive O-ring
<b>ALP48</b>		Combined P/T port and drain ball valve with red ribbon Port: External threads G 1/8" to ISO 228 Connection to valve body: G 1/4" to ISO 228, inclusive O-ring
<b>ALP49</b>		Long P/T ports (set of 2 pieces) Set contains 1 piece each with a red and blue ribbon. Port: External threads G 1/8" to ISO 228 Connection to valve body: G 1/4" to ISO 228, inclusive O-ring

<b>ALP50</b>		Spare black valve protection cap
<b>ALP52</b>		Pre-setting key for VPI45..

## Sizing

### Engineering example

#### Basis of design

1. Determine energy demand Q [kW]
2. Determine temperature differential  $\Delta T$  [K]
3. Calculate volumetric flow  $\dot{V} = \frac{Q[\text{kW}] \cdot 1000}{1.163 \cdot \Delta T[\text{K}]} \left[ \frac{\text{l}}{\text{h}} \right]$
4. Select suitable Combi valve VPI45..
5. Determine dial setting using Volumetric flow/dial presetting table, page 6

#### Example

1. Heat demand heat exchanger  $Q = 8.4 \text{ kW}$
2. Temperature differential (flow - return)  $\Delta T = 6 \text{ K}$
3. Volumetric flow  $\dot{V} = \frac{8.4 \text{ kW} \cdot 1000}{1.163 \cdot 6 \text{ K}} = 1,203 \text{ l/h}$

Hint: You can also determine the volumetric flow  $\dot{V}$  using the valve slide rule.

4. Select Combi valve VPI45..  
Selection: VPI45.15F1.5 respectively VPI45.15F1.5Q (with pressure test points)
5. Determine dial setting using Volumetric flow/dial presetting table, page 6

Volumetric flow	1,200 l/h
Dial setting	2.4 dial graduations

**Volumetric flow / dial  
presetting**

Tables to determine the dial setting for a desired volumetric flow.

**VPI45.15F0.5, VPI45.15F0.5Q**

**500 l/h nominal**

[l/h]				90	130	160	190	220	250	280	310	340	380	410	440	470	500	530	560	590	620
Dial	Min.	0.2	0.4	0.6	0.8	1	1.2	1.4	1.6	1.8	2	2.2	2.4	2.6	2.8	3	3.2	3.4	3.6	3.8	Max.

**VPI45.15F1.5, VPI45.15F1.5Q**

**1500 l/h nominal**

[l/h]				290	400	500	600	710	810	910	1010	1100	1200	1280	1370	1440	1520	1580	1640	1680	1730
Dial	Min.	0.2	0.4	0.6	0.8	1	1.2	1.4	1.6	1.8	2	2.2	2.4	2.6	2.8	3	3.2	3.4	3.6	3.8	Max.

**VPI45.20F0.9, VPI45.20F0.9Q**

**900 l/h nominal**

[l/h]				160	210	260	320	370	420	470	530	580	630	680	740	790	840	890	950	1000	1050
Dial	Min.	0.2	0.4	0.6	0.8	1	1.2	1.4	1.6	1.8	2	2.2	2.4	2.6	2.8	3	3.2	3.4	3.6	3.8	Max.

**VPI45.20F2, VPI45.20F2Q**

**2000 l/h nominal**

[l/h]				350	460	580	690	810	920	1040	1150	1270	1380	1490	1600	1700	1790	1880	1950	2000	2040
Dial	Min.	0.2	0.4	0.6	0.8	1	1.2	1.4	1.6	1.8	2	2.2	2.4	2.6	2.8	3	3.2	3.4	3.6	3.8	Max.

**VPI45.25F1.5, VPI45.25F1.5Q**

**1500 l/h nominal**

[l/h]				280	380	490	590	700	800	900	1010	1100	1200	1290	1370	1450	1520	1590	1640	1690	1720
Dial	Min.	0.2	0.4	0.6	0.8	1	1.2	1.4	1.6	1.8	2	2.2	2.4	2.6	2.8	3	3.2	3.4	3.6	3.8	Max.

**VPI45.25F2, VPI45.25F2Q**

**2000 l/h nominal**

[l/h]				350	460	580	690	810	920	1040	1150	1270	1380	1490	1600	1700	1790	1880	1950	2000	2040
Dial	Min.	0.2	0.4	0.6	0.8	1	1.2	1.4	1.6	1.8	2	2.2	2.4	2.6	2.8	3	3.2	3.4	3.6	3.8	Max.

**VPI45.32F3, VPI45.32F3Q**

**3000 l/h nominal**

[l/h]				560	740	920	1100	1290	1470	1640	1820	1980	2140	2300	2440	2570	2700	2810	2910	2990	3050
Dial	Min.	0.2	0.4	0.6	0.8	1	1.2	1.4	1.6	1.8	2	2.2	2.4	2.6	2.8	3	3.2	3.4	3.6	3.8	Max.

**VPI45.40F7, VPI45.40F7Q**

**7000 l/h nominal**

[l/h]				2355	2974	3538	4056	4534	4974	5376	5741	6065	6346	6582	6772	6916	7015	7073	7100	7105	7105
Skala	Min.	0.2	0.4	0.6	0.8	1	1.2	1.4	1.6	1.8	2	2.2	2.4	2.6	2.8	3	3.2	3.4	3.6	3.8	Max.

**VPI45.50F8.5, VPI45.50F8.5Q**

**8500 l/h nominal**

[l/h]				2664	3537	4337	5053	5682	6224	6684	7070	7389	7652	7870	8051	8204	8333	8441	8525	8578	8586
Skala	Min.	0.2	0.4	0.6	0.8	1	1.2	1.4	1.6	1.8	2	2.2	2.4	2.6	2.8	3	3.2	3.4	3.6	3.8	Max.

**Presetting**

Prior to mounting the actuator, the presetting is to be made according to the following example:

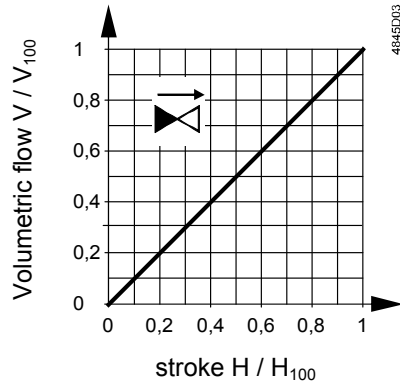
1. Remove control knob from valve
2. Loosen knurled nut
3. Adjust the desired dial setting with the white knob
4. retighten knurled nut by hand



**Circulating pump**

The valve's authority  $P_v$  need not be calculated. When sizing the circulating pump, it must be made certain that the most critical heat exchanger in the system – usually the remotest from the pump – gets enough pressure (pump head).

**Valve characteristic**  
VPI45.., VPI45..Q



**Engineering notes**

Valve	Symbol		flow in control mode		valve stem	
	VPI45..	VPI45..Q	Inlet	Outlet	retracts	extends
Combi valve VPI45..			Variable	Variable	opens	closes

**Caution**

**The direction of flow indicated (arrow on the valve body) is mandatory!**

The valves should preferably be mounted in the return pipe where temperatures are lower and where the sealing gland is less affected by strain.

**Symbols**

Symbol used in catalogs and application descriptions	Direction of flow		Symbol used in diagrams
	VPI45..	VPI45..Q	
			There are no standard symbols for Combi valves in diagrams

**Recommendation**

A strainer should be fitted upstream of the valve to enhance reliability.

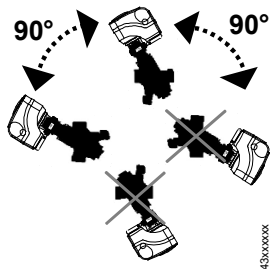
**Mounting notes**

Valve and actuator can be straightforwardly assembled on site. Special tools or adjustments are not required.

Prior to mounting the actuator, the required volumetric flow must be set.




The valve is supplied complete with Mounting Instructions (74 319 06490a).

**Mounting positions**



## Commissioning notes

---

-  The valves must be commissioned with the manual control knob or actuator correctly fitted.
-  The Combi valves have to be open when flushing or pressure testing the system. Strong pressure impacts can damage closed Combi valves.
-  Differential pressure  $\Delta p_{\max}$  across the valve's control path is not allowed to exceed 400 kPa.

### Manual control

When turning the manual control knob in clockwise direction or operating the actuator, the valve opens. A reset spring closes the valve. The valves are supplied fully open.

## Maintenance notes

---

The VPI45.. valves are maintenance-free.

### Caution

When performing service work on the valve and / or actuator:

- Switch off the pump and disconnect power supply
- Close the shutoff valve in the piping network
- Fully reduce pressure in the piping network and allow the pipes to cool down completely

Remove the electrical connections only if necessary.

### Sealing gland

The stem sealing gland cannot be exchanged. Should leakage occur, the whole valve must be replaced.

### Disposal



Due to the different types of material used, the valve must be disassembled prior to disposal. Special handling of certain valve components may be required by law or may be sensible from an ecological point of view.

**Local and currently valid legislation must be observed.**

## Warranty

---

Application-related technical data are guaranteed only when the valves are used in connection with the Siemens actuators listed under "Equipment combinations", page 3. When used with actuators of other manufacture, any warranty by Siemens becomes void.

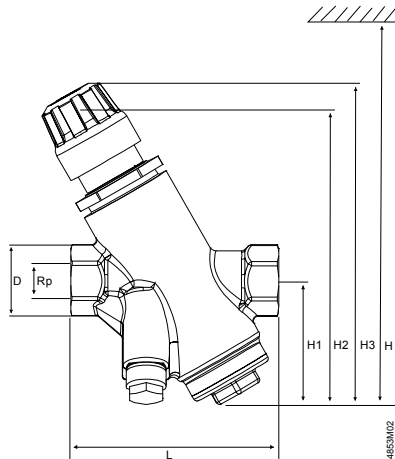


## Technical data

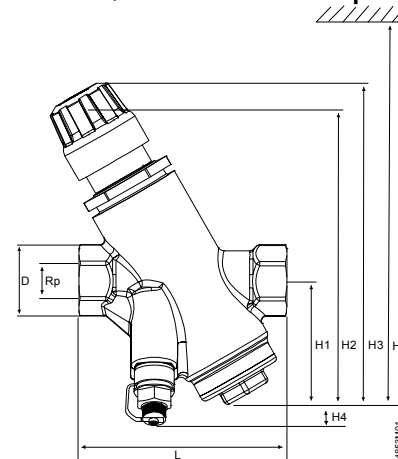
Functional data	PN class	PN 25 as per EN 1333			
	Perm. operating pressure	2,500 kPa (25 bar) as per ISO 7628 / EN 1333			
	Control range	Differential pressure controller	$\Delta p_{\min}$ [kPa]	$\Delta p_{\max}$ [kPa]	
			VPI45.15F0.5..	16	400
			VPI45.15F1.5..	18	400
			VPI45.20F0.9..	16	400
			VPI45.20F2..	22	400
			VPI45.25F1.5..	16	400
			VPI45.25F2..	22	400
			VPI45.32F3..	18	400
VPI45.40F7..	26	400			
VPI45.50F8.5..	32	400			
Valve characteristic	Linear				
Leakage rate	DN15...32	0...0,05 % of volumetric flow $\dot{V}_{100}$			
	DN40...50	At $p_{\max} = 230$ kPa: 0...0,05 % of volumetric flow $\dot{V}_{100}$ At $\Delta p_{\max} = 400$ kPa: > 0,05 % of volumetric flow $\dot{V}_{100}$			
Permissible media	Low temperature hot water, chilled water, water with antifreeze Recommendation: Water treatment to VDI 2035				
Medium temperature	1...120 °C				
Nominal stroke	DN15...DN32	5 mm			
	DN40...DN50	6.5 mm			
Standards	Pressure Equipment Directive	PED 97/23/EC			
	Pressure Accessories	as per article 1, section 2.1.4			
	Fluid group 2	DN15...40	• without CE-marking as per article 3, section 3 (sound engineering practice)		
		DN50	• category I, with CE-marking		
Materials	Valve body, plug, seat, sealing gland and test points	Dezincification resistant hot-pressed brass (DZR), CW602N			
	Stem, spring	Stainless steel			
	Presetting	PTFE, PPO, POM C und ABS			
	Regulator	PPS			
	Seals	EPDM 281 (O-ring)			
Dimensions / weight	Dimensions	Refer to "Dimensions", page 10			
	Threaded connections	Rp to ISO 7-1 (internally threaded)			
	Actuator connection	M30 x 1.5 mm			
	Weight	Refer to "Dimensions", page 10			

## Dimensions

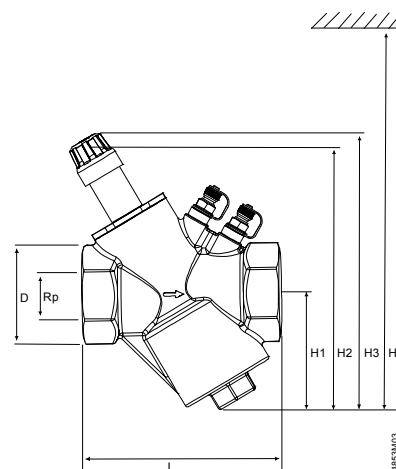
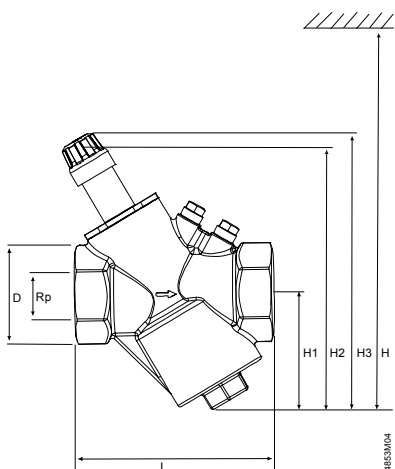
### VPI45 .. Combi valves DN15...32



### VPI45..Q Combi valves with pressure test points



### DN40/50



Valves	Rp	D	L	H1	H2	H3	H4	H <sup>1)</sup>		Weight
								SSD..	SQD..	
	[inch]	[mm]	[mm]	[mm]	[mm]	[mm]	[mm]	[mm]	[mm]	[kg]
VPI45.15F0.5	Rp ½	27	88	53	123	135		205		0.898
VPI45.15F1.5	Rp ½	27	88	53	123	135		205		0.898
VPI45.20F0.9	Rp ¾	32	88	53	123	135		205		0.908
VPI45.20F2	Rp ¾	32	88	53	123	135		205		0.908
VPI45.25F1.5	Rp 1	39	92	53	123	135		205		0.998
VPI45.25F2	Rp 1	39	92	53	123	135		205		0.998
VPI45.32F3	Rp 1¼	46	128	69	145	158		227		1.518
VPI45.40F7	Rp 1½	52	144	87	193	206			356	2.519
VPI45.50F8.5	Rp 2	68	155	93	206	219			368	3.156
VPI45.15F0.5Q	Rp ½	27	88	53	123	135	11	205		0.898
VPI45.15F1.5Q	Rp ½	27	88	53	123	135	11	205		0.898
VPI45.20F0.9Q	Rp ¾	32	88	53	123	135	13	205		0.908
VPI45.20F2Q	Rp ¾	32	88	53	123	135	13	205		0.908
VPI45.25F1.5Q	Rp 1	39	92	53	123	135	11	205		0.998
VPI45.25F2Q	Rp 1	39	92	53	123	135	11	205		0.998
VPI45.32F3Q	Rp 1¼	46	128	69	145	158	6	227		1.518
VPI45.40F7Q	Rp 1½	52	144	87	193	206			356	2.539
VPI45.50F8.5Q	Rp 2	68	155	93	206	219			368	3.176

<sup>1)</sup> Total height including actuator SSD.. or SQD..

## Revision numbers

---

Product number	Valid from rev. no.	Product number	Valid from rev. no.
VPI45.15F0.5	..A	VPI45.15F0.5Q	..A
VPI45.15F1.5	..A	VPI45.15F1.5Q	..A
VPI45.20F0.9	..A	VPI45.20F0.9Q	..A
VPI45.20F2	..A	VPI45.20F2Q	..A
VPI45.25F1.5	..A	VPI45.25F1.5Q	..A
VPI45.25F2	..A	VPI45.25F2Q	..A
VPI45.32F3	..A	VPI45.32F3Q	..A
VPI45.40F7	..A	VPI45.40F7Q	..A
VPI45.50F8.5	..A	VPI45.50F8.5Q	..A